

Product Features

Operating Frequency: 0.1GHz ~ 40GHz

Voltage Standing Wave Ratio: 1.1:1

High attenuation accuracy

Excellent Flatness

Maximum RF Input Power: 2W

Attenuation Value: 3dB

Package: Die

Application

5G system

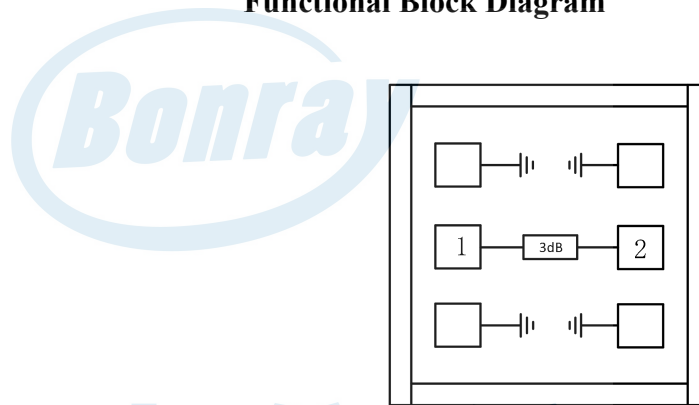
Millimeter Wave Radar

Defense Industry

Satellite

General Description

BR7052-3 is a wideband millimeter-wave fixed 3dB attenuator manufactured using GaAs process over the frequency range of 0.1GHz ~ 40GHz, with excellent VSWR and flatness and high attenuation accuracy, which can be widely used in millimeter-wave radar, satellite, national defense and military industry, 5G system and other applications.

Functional Block Diagram

博瑞集信

Electrical Specifications (TA=+25°C)

Parameters	Test Conditions	Min.	Typ.	Max.	Units
Attenuation Value	0.1 GHz to 12 GHz		3.0±0.09		dB
	0.1 GHz to 26.5GHz	-	3.0±0.30	-	
	0.1 GHz to 40 GHz		3.0±0.32		
Voltage Standing Wave Ratio	0.1 GHz to 7 GHz		1.02		: 1
	0.1 GHz to 12 GHz		1.03		
	0.1 GHz to 26.5GHz	-	1.04	-	
	0.1 GHz to 40 GHz		1.05		

Absolute Maximum Ratings

Maximum RF Input Power: 2W

Recommended Operating Conditions

Operating Temperature: -55°C ~ +125°C

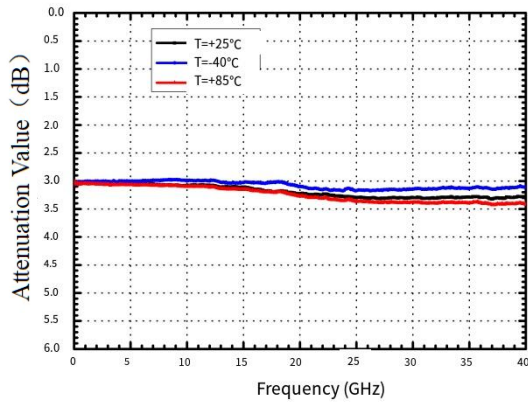
Storage Temperature: -65°C ~ +150°C

Note: Operation of the device outside the parameter ranges given absolute-maximum-ratings conditions may cause permanent damage, and. exposure to absolute-maximum-ratings conditions for extended periods will affect the reliability.

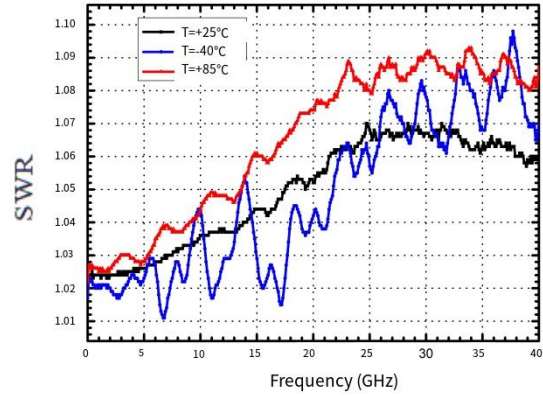
ESD WARNING


ELECTROSTATIC SENSITIVE DEVICE
OBSERVE HANDLING PRECAUTIONS

Typical Performance



Attenuation Value

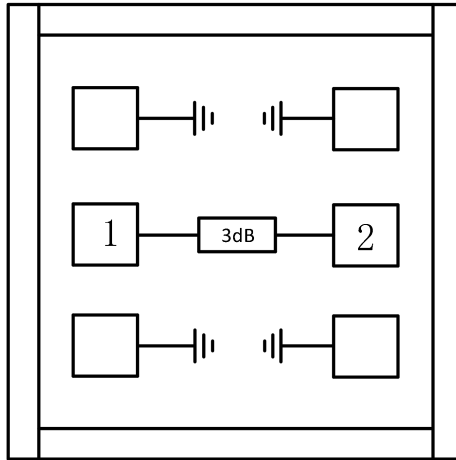


SWR



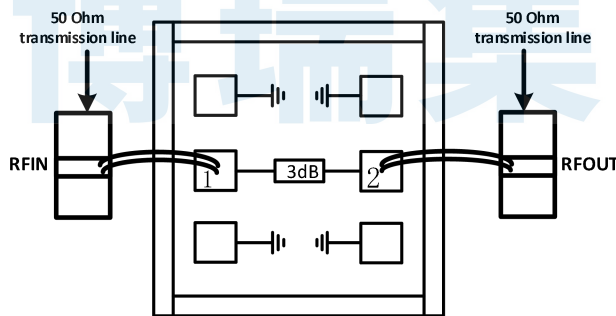
博瑞集信

Pad Description

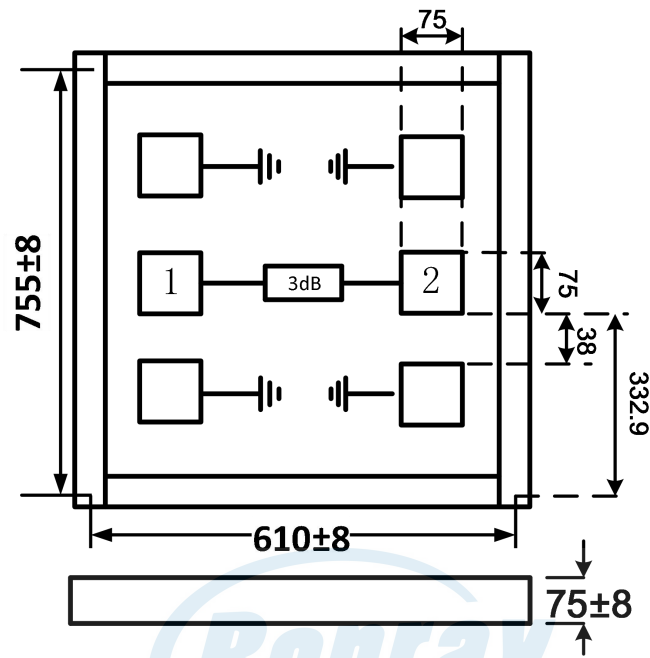


Pad Number	Pad	Description
1	RFin	RF Input, matched to 50 Ohms.
2	RFout	RF Output, matched to 50 Ohms.
	GND	Connected to DC/RF ground.

Assembly Diagram



Mechanical Information (Units: mm)



博瑞集信