

**Product characteristics**

Frequency range: DC-18GHz

Impedance: 50Ω

Attenuation: 3,6,10,20,30 dB

VSWR: ≤1.5:1

MTBF ≥ 5000 hours

**Physical drawing**



**General Description**

BR8493B series of precision fixed attenuator achieves extremely wide frequency range with excellent flatness of attenuation. Available in a variety of attention values for different requirements, these units support a broad range of system and testing applications. Precise performance, excellent VSWR (≤1.5:1) and rugged construction make these models ideal solutions for systems requiring precise attenuation across very wide frequency range.

**Applications**

BR8493B coaxial fixed attenuator is suitable for any need to reduce the power level or circuit matching, can quantitatively absorb the energy in the transmission line, extend the power range, control the power level, and can be equipped with a small power meter, comprehensive tester or spectrum analyzer to accurately measure the power or spectrum of various RF microwave transmitters

**Ordering information**

Coaxial attenuator	Model number	Option description
BR8493B	BR8493B-03	3dB attenuation
	BR8493B-06	6dB attenuation
	BR8493B-10	10dB attenuation
	BR8493B-20	20dB attenuation
	BR8493B-30	30dB attenuation

1.A model number must be specified for each order;

2.Refer to the table of technical specifications.

**Product technical specifications**

Model number	Frequency range (GHz)	Degree of attenuation (dB)	Attenuation accuracy (dB)	VSWR (:1)
BR8493B-03	DC-18	3	+ / - 0.3	≤1.5
BR8493B-06	DC-18	6	+ / - 0.3	≤1.5
BR8493B-10	DC-18	10	+ / - 0.5	≤1.5
BR8493B-20	DC-18	20	+ / - 1.0	≤1.5
BR8493B-30	DC-18	30	+ / - 1.0	≤1.5

1. BR8493B series coaxial attenuator, support 3,6,10,20,30 dB attenuation, model and attenuation index one-to-one correspondence.

**Product Specification**

Coaxial attenuator	Freq range	Characteristic impedance	Average power	Peak power
BR8493B	DC-18GHz	50 Ω	2W(CW)	100W(signal duty cycle≤ 10%, pulse width ≤10us)

**Mechanical properties of product**

Coaxial attenuator	Connector housing	Chamber	Male Inner Conductor	Female Inner Conductor	Connector	Size	Weight	RoHS
BR8493B	Stainless Steel		Brass gold plating	Beryllium bronze gold plated	SMA(M,F)	Ø 10 x 30 mm	8g±2g	confor mance

**Absolute maximum ratings**

Maximum input power: 2W avg, 100W pk

**Recommended Operating Conditions**

Operating temperature: 0°C ~ +55°C

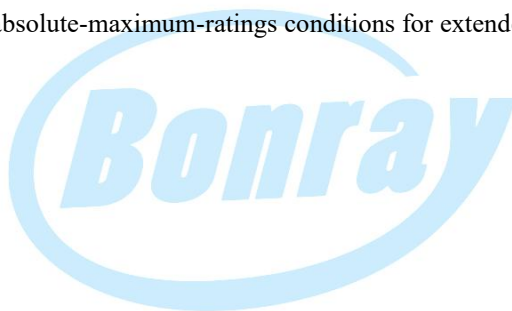
Operating humidity: <95% R.H (at +40°C)

Storage temperature: -55°C ~ +85°C

Operating altitude: up to 4600m, corresponding to 57.2kPa±10%

Storage altitude: up to 15300m, corresponding to 11.5kPa±10%

Note: Operation of the device outside the parameter ranges given absolute-maximum-ratings conditions may cause permanent damage, and. exposure to absolute-maximum-ratings conditions for extended periods will affect the reliability.

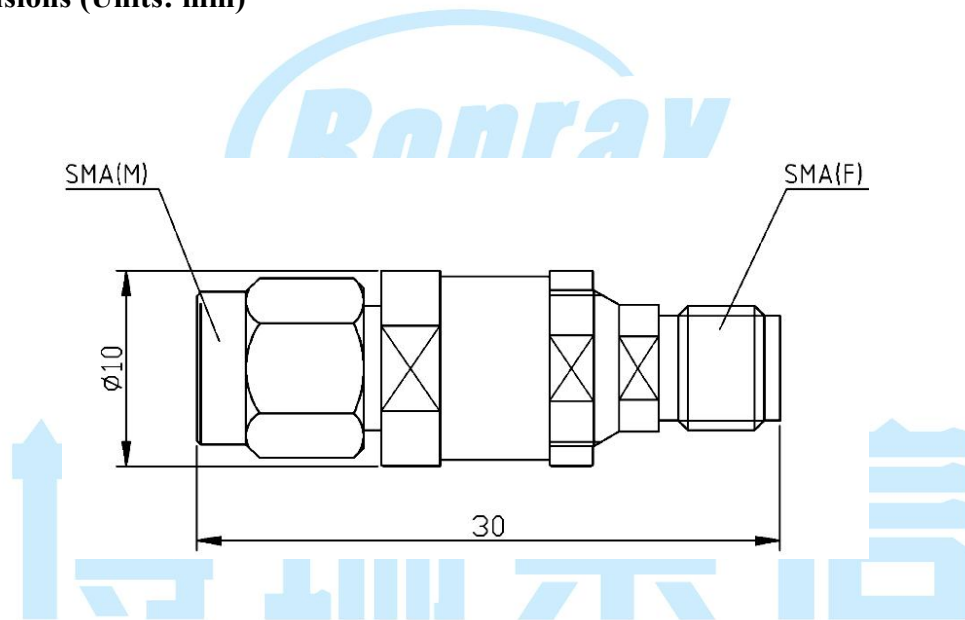


博瑞集信

Notes and precautions for use

Notes	Precautions
<p>1. Before disconnecting the attenuator, make sure to turn off the RF power and power supply first.</p>	<p>1. The input power can't exceed the rated average power or peak power.</p> <p>2. Input and output connectors should be cleaned regularly with alcohol.</p>

Overall dimensions (Units: mm)



Note: All dimensions are in mm, tolerance to be within  $\pm 5\%$